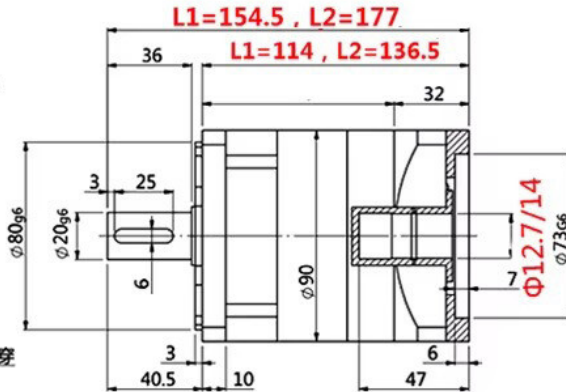
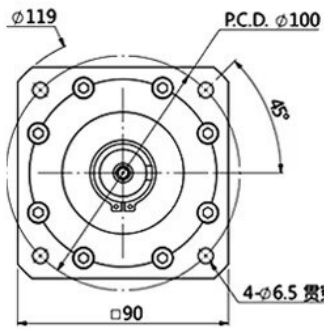


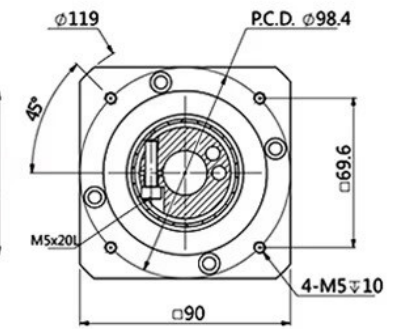
PLF090 Series Nema 34 Planetary Gearbox Ratio 3:1 - 100:1 Parameter

Straight Gear Planetary Reducer PLF090		
Technical Parameter	Unit	Value
Max. Output Torque	Nm	1.5 Times Rated Output Torque
Instant Braking Torque	Nm	2 Times Rated Output Torque
Max Radial Torque	N	450
Max Axis Torque	N	430
Torsional Stiffness	Nm/arcmin	4.85
Max Input Speed	rpm	6000
Rated Input Speed	rpm	3500
Noise	dB	≤60
Life time	h	20000
Full Load Efficiency	%	L1≥96%, L2≥94%
Backlash (L1)	arcmin	≤7
Backlash (L2)	arcmin	≤12
IP Degree	-	IP65
Operating Temp	°C	-10°C~+90°C
Rated Output Torque (Nm)		
Stage	Ratio	Rated Output Torque
L1	3:01	96
	4:01	122
	5:01	122
	7:01	95
	10:01	56
L2	15:01	96
	20:01	122
	25:01:00	122
	30:01:00	96
	35:01:00	122
	40:01:00	122
	50:01:00	122
	70:01:00	95
100:01:00	56	
Moment of Inertia (Kg.cm²)		
Stage	Ratio	Moment of Inertia
L1	3:01	1.73
	4:01	1.73
	5:01	1.73
	7:01	1.42
	10:01	1.42
L2	15:01	1.49
	20:01	1.49
	25:01:00	1.49
	30:01:00	1.49
	35:01:00	1.49
	40:01:00	1.49
	50:01:00	1.49
	70:01:00	1.25
100:01:00	1.25	

Output

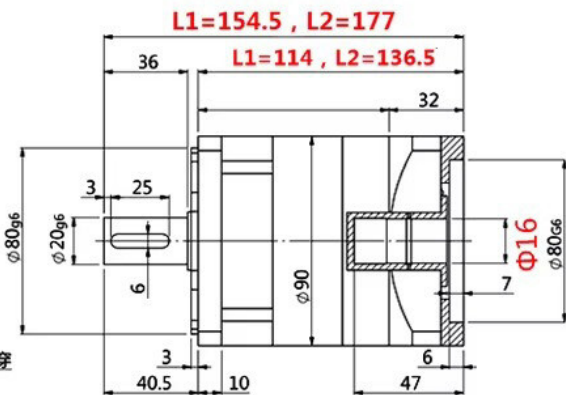
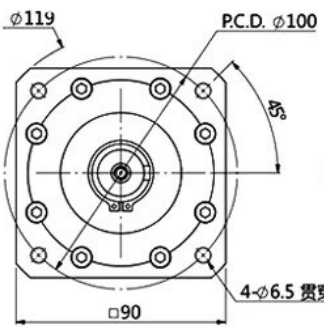


Input

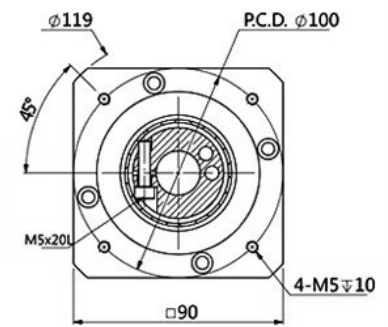


16mm Input for 90mm Flange Servo Motor

Output

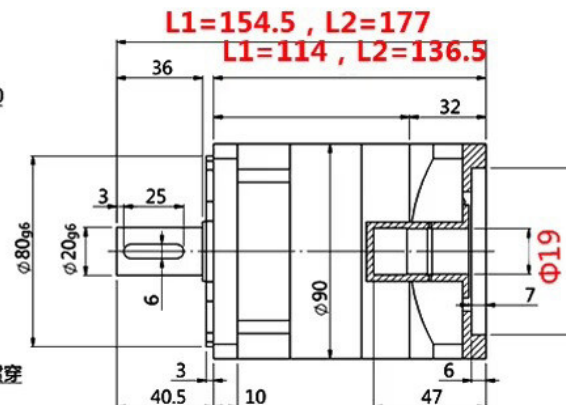
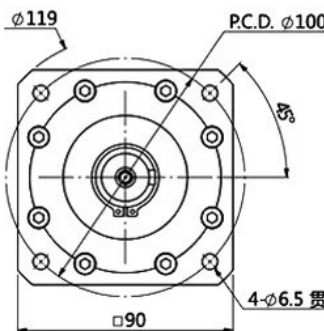


Input

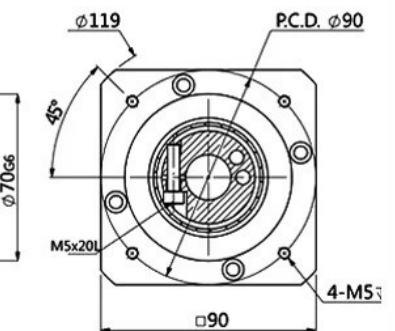


19mm Input for 80mm Flange Servo Motor

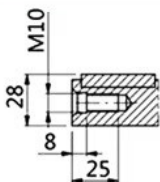
Output



Input



Output Shaft With Key



Speed Ratio

1 Stage (L1): 3:1 / 4:1 / 5:1 / 7:1 / 10:1

2 Stage (L2): 15:1 / 20:1 / 25:1 / 30:1 / 35:1 / 40:1 / 50:1 / 70:1 / 100:1